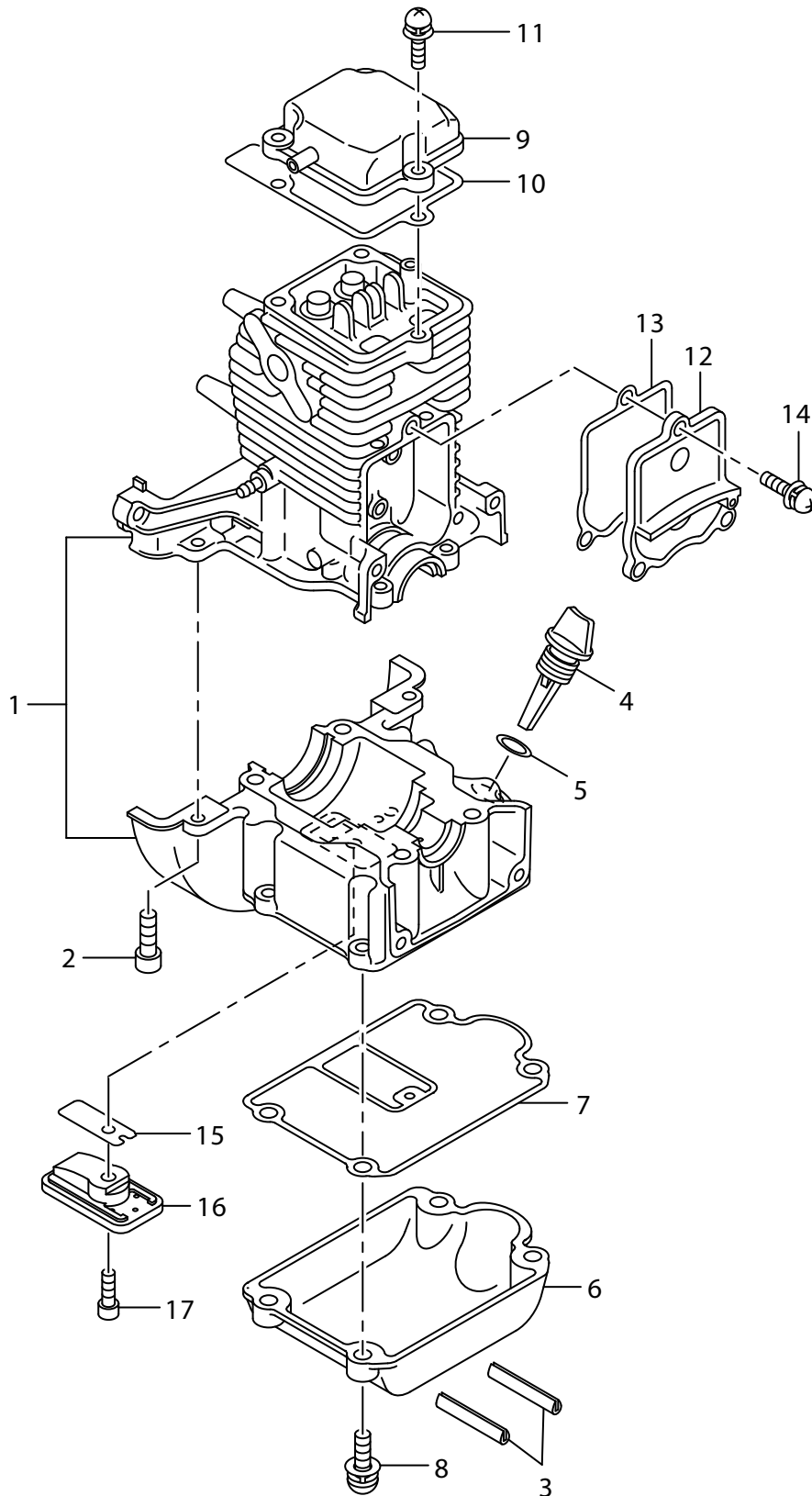
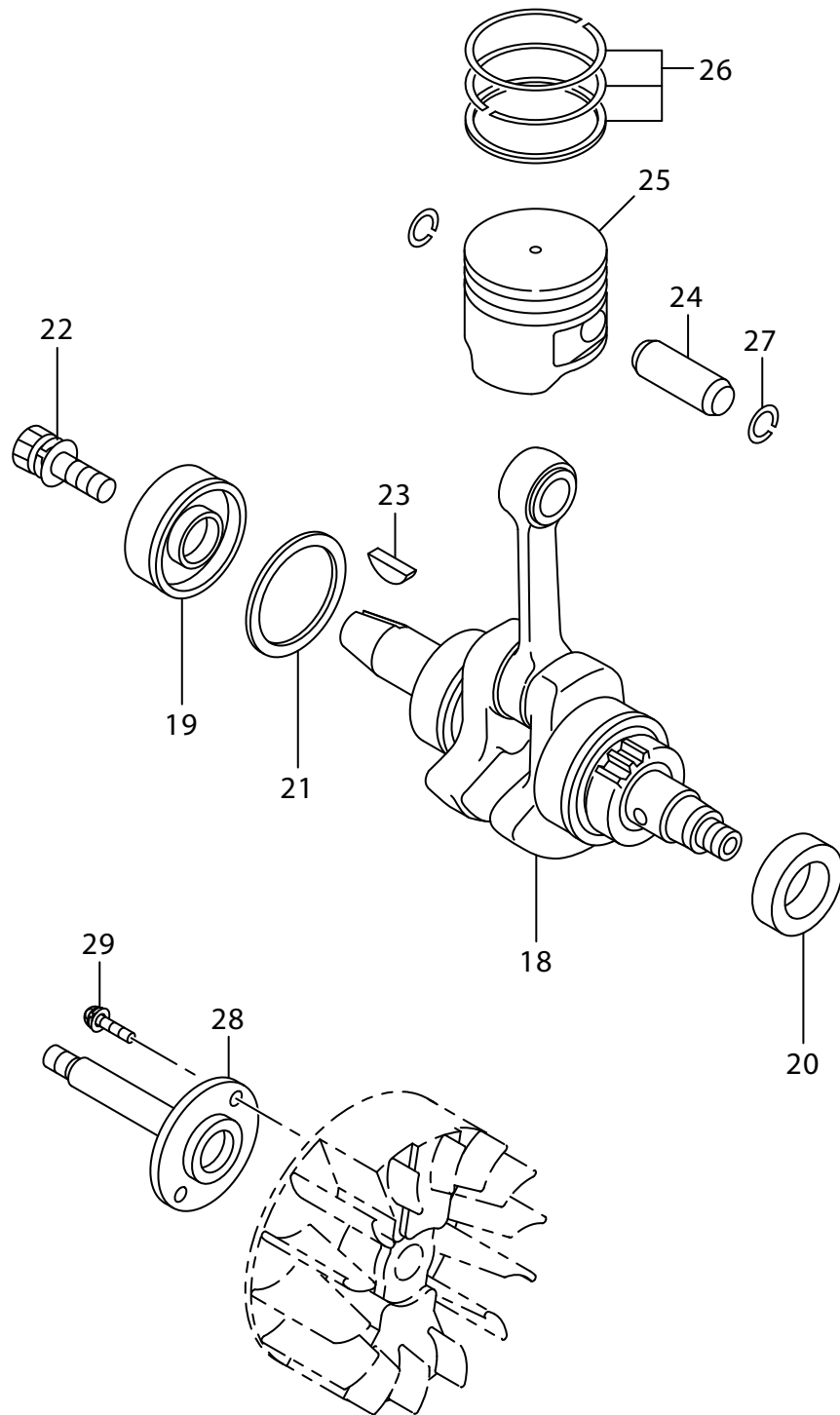


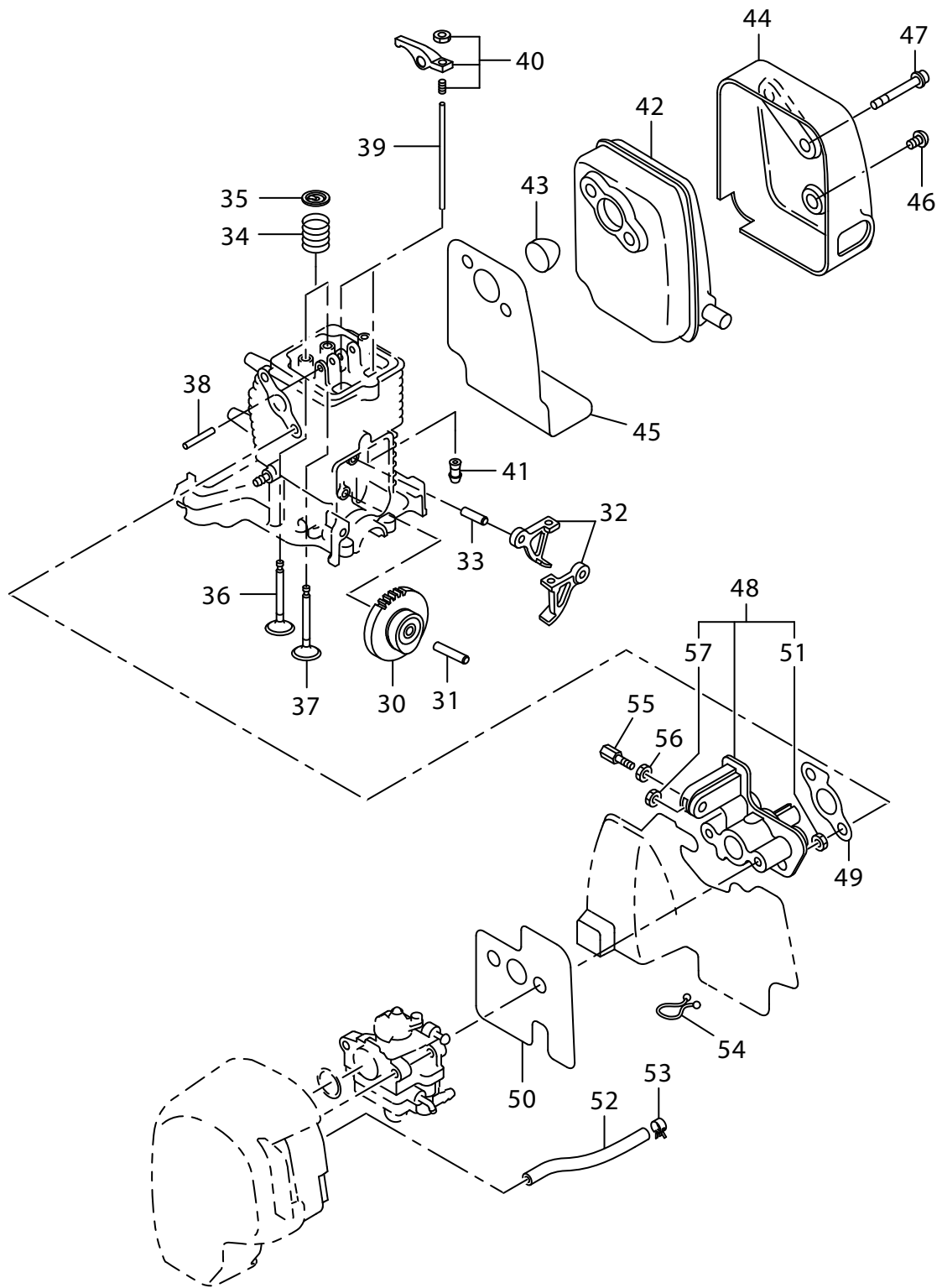


02 - 2008
MODEL EW120R
PUMP CENTRIFUGAL 1"

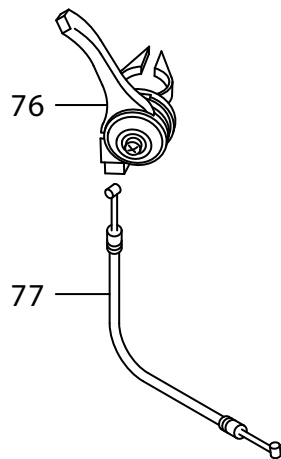
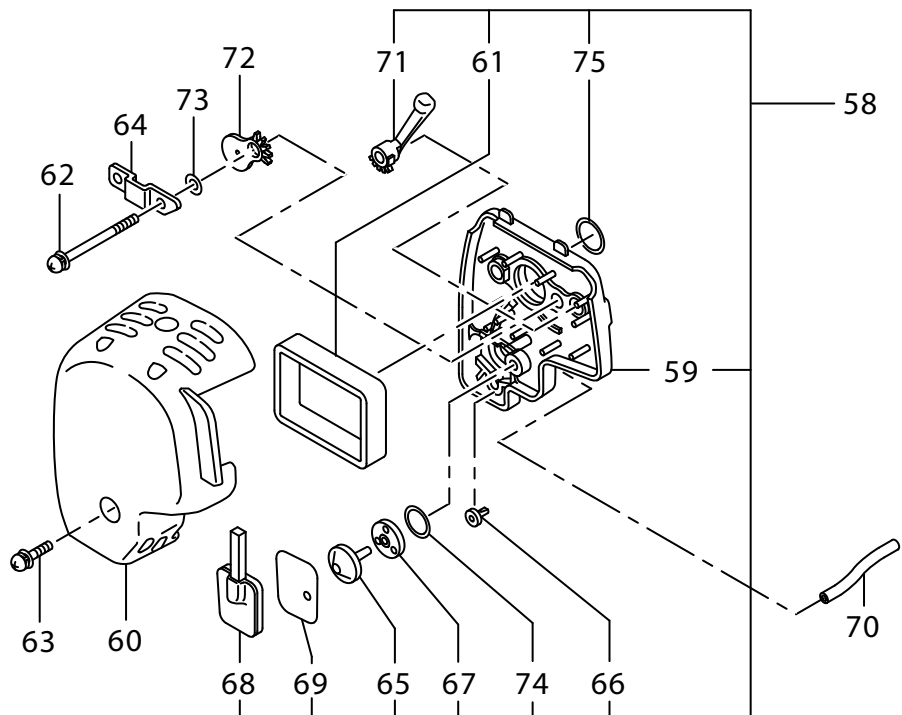




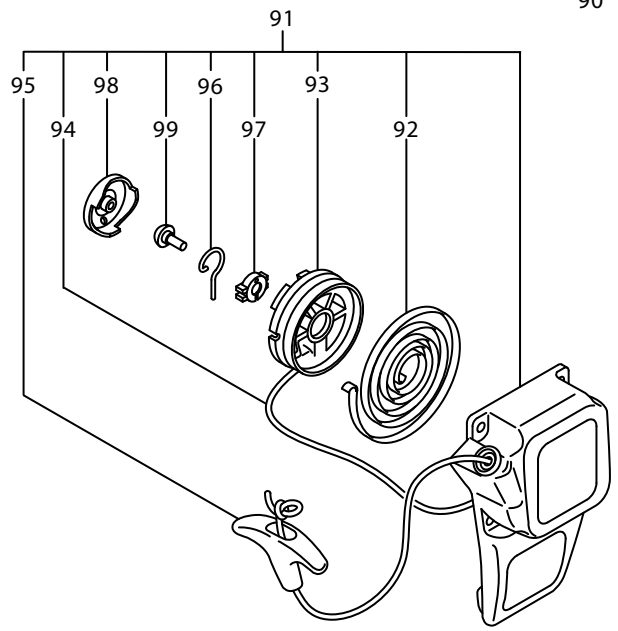
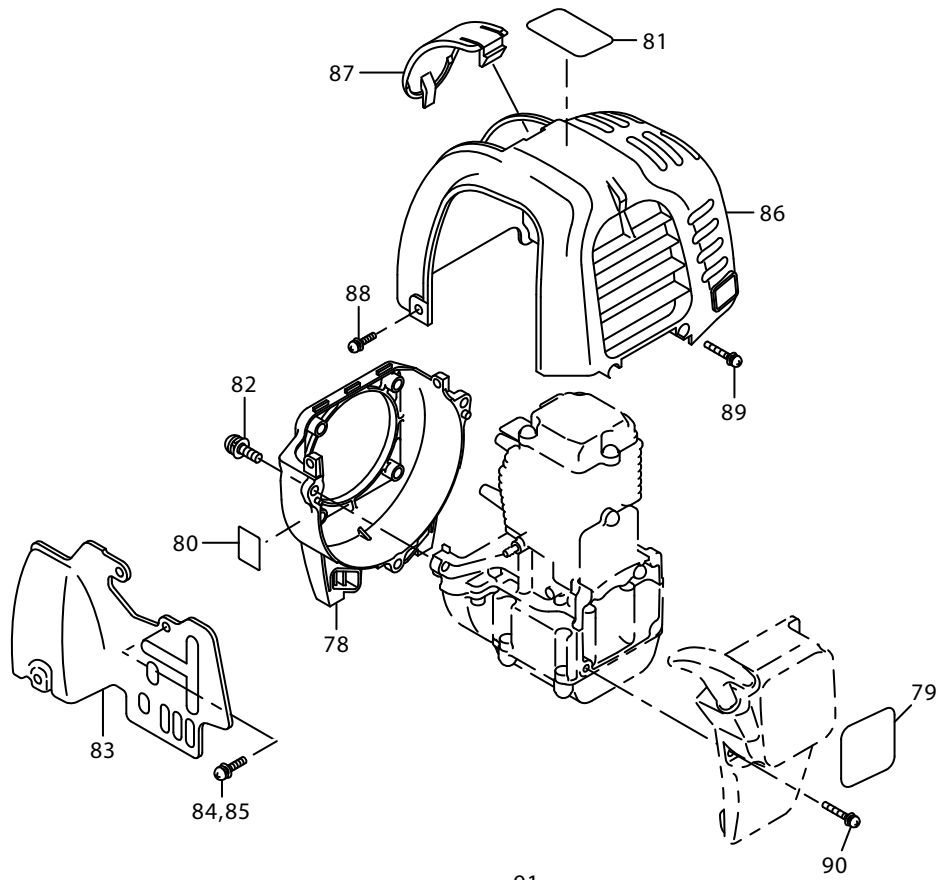
2 MODEL EW120R

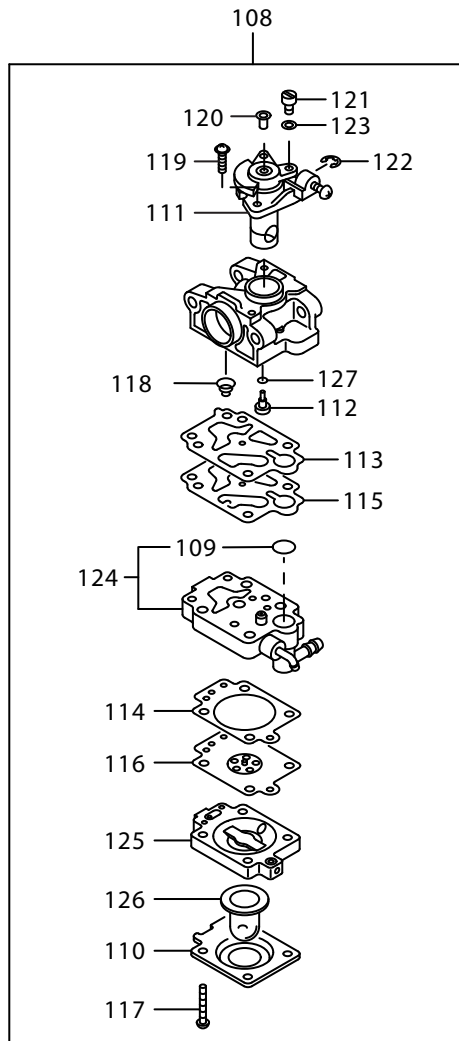
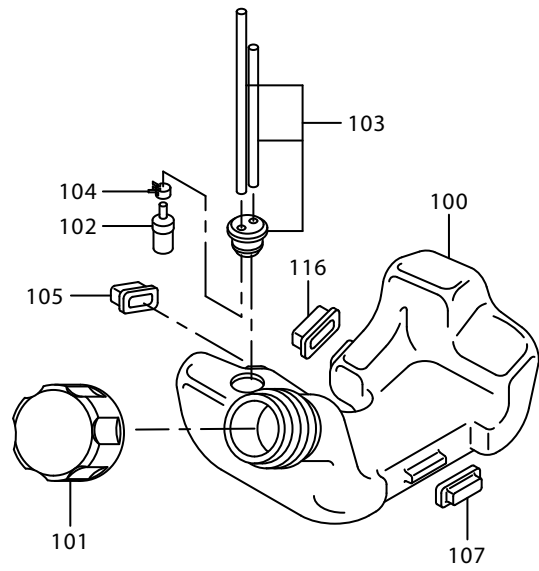


3 MODEL EW120R

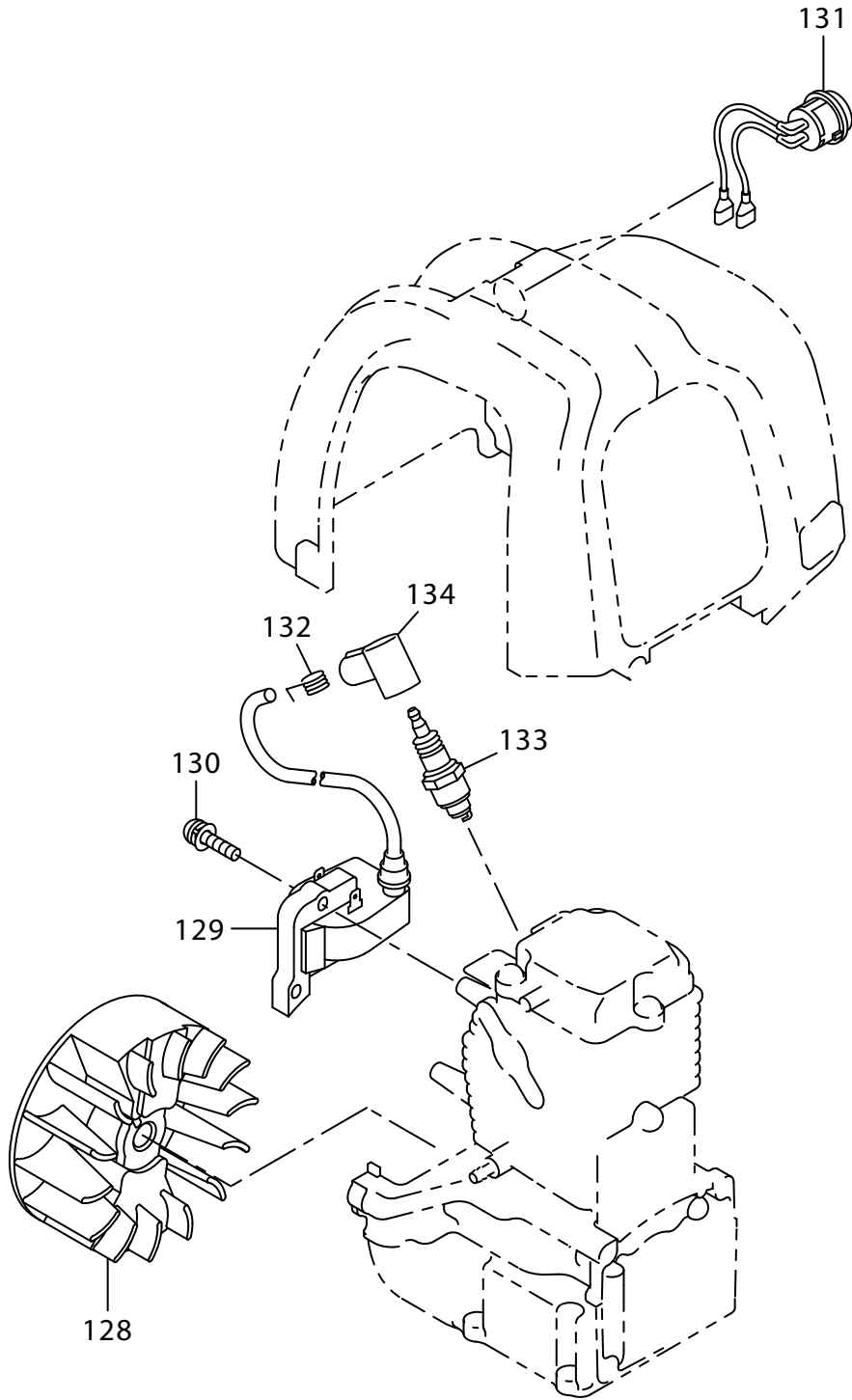


4 MODEL EW120R

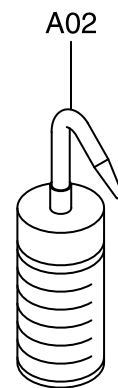
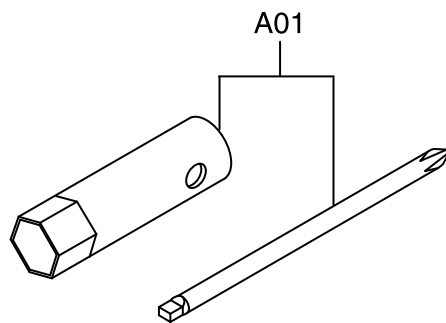
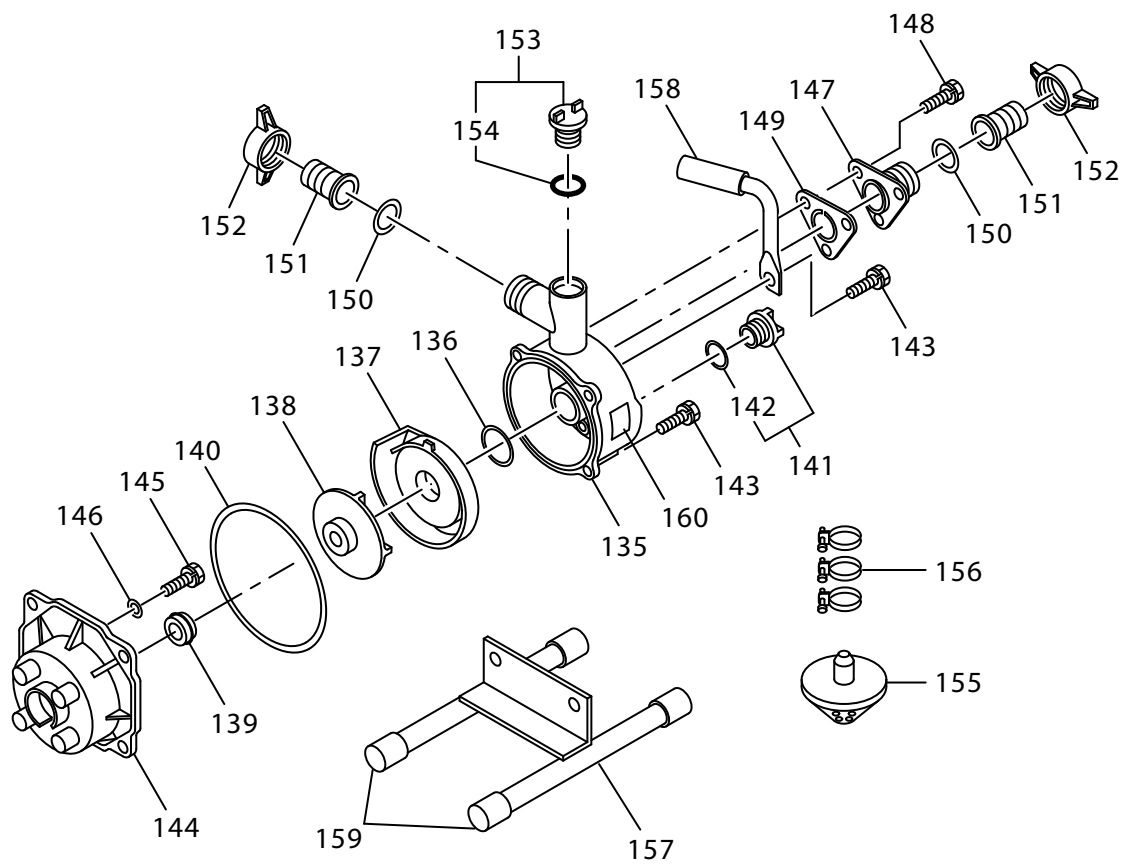




6 MODEL EW120R



7 MODEL EW120R



8 MODEL EW120R

Item No.	Type	Sub	Part No.	Description	Qty	Unit
1	4		5921045000	* CYLINDER BLOCK SET	1	PC.
		INC.		* Item No. 2, 41		
	5		135562-0	CYLINDER BLOCK ASSY	1	PC.
2	1		0119059510	SOCKET HEAD BOLT M5X14	8	PC.
	2		0119059510	SOCKET HEAD BOLT M5X14	8	PC.
	3		266811-5	H.S.H.BOLT M5X14	8	PC.
3	1		5926500900	GUARDCASE OIL	2	PC.
	2		424530-1	OIL CASE GUARD	2	PC.
4	1		5926500600	OIL GAUGE	1	PC.
	2		450565-6	OIL GAUGE	1	PC.
5	1		0213169990	GASKET	1	PC.
	2		424100-6	GASKET	1	PC.
6	1		5926500000	OIL CASE	1	PC.
	2		318442-7	OIL CASE	1	PC.
7	1		5926500100	CASE GASKET	1	PC.
	2		162276-8	CASE GASKET	1	PC.
8	1		0043605180	SCREW ASS'Y M5X18	4	PC.
	2		0119059510	SOCKET HEAD BOLT M5X14	4	PC.
	3		266811-5	H.S.H.BOLT M5X14	4	PC.
9	1		5921004001	ROCKER COVER COMPLETE	1	PC.
	2		140023-7	ROCKER COVER COMPLETE	1	PC.
10	1		5921500800	ROCKER COVER GASKET	1	PC.
	2		162275-0	ROCKER COVER GASKET	1	PC.
11	1		0043605160	SCREW ASS'Y M5X16 (WSW)	3	PC.
	2		266494-1	+ PAN HEAD SCREW M5X16	3	PC.
12	1		5921500502	CAMGEAR COVER	1	PC.
	2		318443-5	CAM GEAR COVER	1	PC.
13	1		5921500700	CAMGEAR COVER GASKET	1	PC.
	2		162274-2	CAM GEAR COVER GASKET	1	PC.
14			0043605140	SCREW ASS'Y M5X14	3	PC.
15	1		5921501000	REED VALVE	1	PC.
	2		346083-9	LEAD VALVE	1	PC.
16	1		5921501100	RETAINER PLATE	1	PC.
	2		318440-1	RETAINER PLATE	1	PC.
17			0119049980	SOCKET HEAD BOLT M4X10	1	PC.
18			5922003000	CRANK SHAFT ASS'Y	1	PC.
19	1		0440129960	OIL SEAL (L)	1	PC.
	2		213147-3	OIL SEAL 12	1	PC.
20	1		0440109970	OIL SEAL (S)	1	PC.
	2		213148-1	OIL SEAL 10	1	PC.
21	1		5421500500	CLIP	1	PC.
	2		267400-9	FLAT WASHER 23	1	PC.
22	1		0130069940	BOLT ASSEMBLY M6X16(WSW)	1	PC.
	2		265577-4	HEX HEAD BOLT M6X16	1	PC.
23	1		0323039990	WOODRUFF KEY	1	PC.
	2		254040-2	WOODRUFF KEY 3	1	PC.
24	1		5232502600	PISTON PIN	1	PC.
	2		257781-9	PISTON PIN	1	PC.
25	1		5922500900	PISTON	1	PC.
	2		318441-9	PISTON	1	PC.
26	1		5922004000	PISTON RING SET	1	PC.
	2		195145-8	PISTON RING SET	1	PC.
27	1		0565089970	CLIP	2	PC.
	2		233976-8	CLIP	2	PC.
28	1		5922501000	SHAFT	1	PC.
	2		326223-5	SHAFT	1	PC.
29			004-36061-60	SCREW & WASHER ASS'Y	2	PC.
30	1		5933003000	CAM GEAR ASS'Y	1	PC.
	2		125552-1	CAM GEAR ASSEMBLY	1	PC.
31	1		5923500501	CAM GEAR SHAFT	1	PC.
	2		268238-5	PIN 5	1	PC.

Item No.	Type	Sub	Part No.	Description	Qty	Unit
32	1		5923500001	CAM LIFTER	2	PC.
	2		313169-4	CAM LIFTER	2	PC.
33	1		5923500600	CAM LIFTER SHAFT	1	PC.
	2		268239-3	PIN 4	1	PC.
34	1		5923501200	VALVE SPRING	2	PC.
	2		234108-0	COMPRESSION SPRING 9	2	PC.
35	1		5923501300	SPRING RETAINER	2	PC.
	2		325668-4	SPRING RETAINER	2	PC.
36	1		5923501500	INTAKE VALVE	1	PC.
	2		325670-7	INTAKE VALVE	1	PC.
37	1		5923501400	EXHAUST VALVE	1	PC.
	2		325669-2	EXHAUST VALVE	1	PC.
38	1		5933500100	ROCKER SHAFT	1	PC.
	2		256200-2	PIN 5	1	PC.
39	1		5923500700	PUSH ROD	2	PC.
	2		256865-0	ROD 2.5	2	PC.
40	1		5933002000	ROCKER ARM ASS'Y	2	PC.
	2		125554-7	ROCKER ARM ASS'Y	2	PC.
41	2		5921501400	SPACER	2	PC.
	3		424200-2	SPACER	2	PC.
42	1		5923001000	EXHAUST MUFFLER	1	PC.
	2		168469-5	EXHAUST MUFFLER	1	PC.
43	1		5923008010	SPARK ARRESTER	1	PC.
	2		5923008011	SPARK ARRESTER	1	PC.
	3		324980-9	SPARK ARRESTER	1	PC.
44	1		5923503400	MUFFLER COVER	1	PC.
	2		345915-7	MUFFLER COVER	1	PC.
45	1		5923501601	MUFFLER GASKET	1	PC.
	2		345916-5	MUFFLER GASKET	1	PC.
46			014-00599-62	SCREW M5X6	1	PC.
47	1		0119059520	SOCKET HEAD BOLT M5X40	2	PC.
	2		266440-4	HEX SOCKET HEAD BOLT M5X40	2	PC.
48	1		5923005001	* INSULATOR COMPLETE	1	PC.
	2		5923005002	* INSULATOR COMPLETE	1	PC.
		INC.		* Item No. 51,57		
	3		5923016000	* INSULATOR COMPLETE	1	PC.
	4		450559-1	* INSULATOR	1	
49	1		5923501801	* INSULATOR GASKET (Remain Available)	1	PC.
	2		5923504700	* INSULATOR GASKET	1	PC.
	3		413120-5	* INSULATOR GASKET	1	PC.
50	1		5923504000	CARBURETOR GASKET	1	PC.
	2		413121-3	CARBURETOR GASKET	1	PC.
51			002-27050-00	* NUT M5 (OLD 0021705000) - OLD	2	PC.
52	1		5921500900	BREATHER PIPE	1	PC.
	2		422041-0	BREATHER PIPE	1	PC.
53	1		0561080010	HOSE CLAMP	1	PC.
	2		345918-1	HOSE CLAMP	1	PC.
54	1		5926501300	CLAMP	1	PC.
	2		450562-2	CLAMP	1	PC.
55	1		0149069972	ADJUST SCREW	1	PC.
	2		325934-9	ADJUST SCREW	1	PC.
56			002-27060-00	* NUT M6	1	PC.
57			002-27060-00	* NUT M6 - OLD	1	PC.
58			5923004003	CLEANER PLATE	1	PC.
		INC.		Item No. 59,61,65-69,71,74,75		
59			5923006002	AIR CLEANER PLATE COMPLETE	1	PC.
60			5923502700	AIR CLEANER COVER	1	PC.
61			5923503200	AIR CLEANER ELEMENT	1	PC.
62	1		5923503100	SCREW M5X68 (WSW SUS)	2	PC.
	2		265188-5	+PAN HEAD SCREW M5X68	2	PC.
63	1		0140059480	SCREW ASS'Y M5X14	1	PC.

Item No.	Type	Sub	Part No.	Description	Qty	Unit
			266809-2	P.H.SCREW M5X14 WITH WR	1	PC.
64	1		5923502600	PLATE	1	PC.
	2		345919-9	PLATE	1	PC.
65	1		5316500701	CHECK VALVE	1	PC.
	2		424315-5	CHECK VALVE	1	PC.
66	1		5923502400	CHECK VALVE (1)	1	PC.
	2		424316-3	CHECK VALVE	1	PC.
67	1		5923502500	CHECK VALVE PLATE	1	PC.
	2		451924-7	CHECK VALVE PLATE	1	PC.
68	1		5933501600	SEPARATOR PLATE	1	PC.
	2		168576-4	SEPARATOR PLATE	1	PC.
69	1		5923503500	GASKET SEPARATOR	1	PC.
	2		168577-2	SEPARATOR GASKET	1	PC.
70	1		5923503001	PIPE	1	PC.
	2		422042-8	PIPE	1	PC.
71	1		5923502200	CHOKE LEVER	1	PC.
	2		451925-5	CHOKE LEVER	1	PC.
72	1		5923502301	CHOKE PLATE	1	PC.
	2		450560-6	CHOKE PLATE	1	PC.
73	1		0213069990	GASKET	1	PC.
	2		423376-2	GASKET	1	PC.
74	1		0240139970	O RING P14	1	PC.
	2		213539-6	O RING 14	1	PC.
75	1		0240159990	O RING P15	1	PC.
	2		213540-1	O RING 15	1	PC.
76	1		6255008000	CONTROL LEVER	1	PC.
	2		125477-9	CONTROL LEVER	1	PC.
77			0630049861	CONTROL CABLE	1	PC.
78	1		5925003000	HOUSINGBLOWER CP	1	PC.
	2		141766-4	BLOWER HOUSING COM.	1	PC.
79			5929503400	LABELMODEL	1	PC.
80			0736389961	CAUTION LABEL	1	PC.
81			0736289991	CAUTION LABEL	1	PC.
82	1		0140059350	SCREW ASS'Y M5X18(WSW)	3	PC.
	2		266699-3	PAN HEAD SCREW M5X18	3	PC.
83			5923502000	* CARBURETOR INSULATOR - OLD (Remain Available)	1	PC.
84	1		0043605180	SCREW ASS'Y M5X18 (Remain Available)	2	PC.
	2		0119059870	SOCKET HEAD BOLT M5X18	2	PC.
	3		266787-6	H.S.H.BOLT M5X18 WITH WR	2	PC.
85	1		0140059370	SCREW ASS'Y M5X12	1	PC.
	2		0119059780	SOCKET HEAD BOLT M5X12	1	PC.
86			5925500700	CYLINDER COVER	1	PC.
87	1		5927500000	PLUG COVER	1	PC.
	2		450568-0	PLUG COVER	1	PC.
88	1		0140059370	SCREW ASS'Y M5X12	2	PC.
	2		266808-4	P.H.SCREW M5X12 W/WR	2	PC.
89			0140049770	SCREW ASSY M4X16(WSW)	2	PC.
90			0140049770	SCREW ASSY M4X16(WSW)	2	PC.
91	1		5925001002	STARTER COVER ASS'Y	1	PC.
		INC.		Item No. 92-99		
	2		125917-7	STARTER COVER ASSY	1	PC.
		INC.		Item No. 92-99		
92	1		5215002030	SPIRAL SPRING	1	PC.
	2		232258-5	SPIRAL SPRING	1	PC.
93	1		5925001030	REEL	1	PC.
	2		451937-8	REEL	1	PC.
94	1		5925001050	STARTER ROPE	1	PC.
	2		444019-3	STARTER ROPE	1	PC.
95	1		5225004020	HANDLE	1	PC.
	2		424319-7	STARTER KNOB	1	PC.
96	1		5195002100	SWING ARM	1	PC.

Item No.	Type	Sub	Part No.	Description	Qty	Unit
			325923-4	SWING ARM	1	PC.
97	1		5195002110	COLLAR	1	PC.
	2		451938-6	COLLAR	1	PC.
98	1		5195500000	PULLEY	1	PC.
	2		168483-1	PULLEY	1	PC.
99	1		5195002060	SET SCREW	1	PC.
	2		266585-8	TAPPING SCREW 5X12	1	PC.
100	3		454004-8	FUEL TANK, FLOURIDIZED (OLD# 5926500400)	1	PC.
101	1		5926017000	FUEL TANK CAP ASSY	1	PC.
	2		125472-9	FUEL TANK CAP ASSEMBLY	1	PC.
102	1		5236503900	FILTER	1	PC.
	2		163447-0	GASOLINE FILTER	1	PC.
	3		168770-8	TUBE COMPLETE (OLD# 168472-6)	1	PC.
104	1		0561059990	HOSE CLAMP	1	PC.
	2		345920-4	HOSE CLAMP	1	PC.
105	1		5036500200	PLATE	1	PC.
	2		424102-2	PLATE	1	PC.
106	1		5036500300	PLATE	1	PC.
	2		424103-0	PLATE	1	PC.
107	1		5196500302	DAMPER	1	PC.
	2		424104-8	DAMPER	1	PC.
108	1		5926011000	CARBURETOR	1	PC.
		INC.		Item No. 109-127		
	2		168781-3	CARBURETOR	1	PC.
		INC.		Item No. 109-127		
109	1		5016004010	INLET SCREEN	1	PC.
	2		352010-6	INLET SCREEN	1	PC.
110	1		5236046050	PRIMER PUMP COVER	1	PC.
	2		346270-0	PRIMER PUMP COVER	1	PC.
111			5926002010	THROTTLE VALVE ASS'Y	1	PC.
112			5926002110	JET	1	PC.
113	1		5926002040	PUMP GASKET	1	PC.
	2		442155-9	PUMP GASKET	1	PC.
114	1		5236046040	METERING DIAPHRAGM GASKET	1	PC.
	2		442154-1	METERING DIAPHRAGM GASKET	1	PC.
115	1		5246001040	PUMP DIAPHRAGM	1	PC.
	2		168575-6	PUMP DIAPHRAGM	1	PC.
116	1		5926008010	METERING DIAPHRAGM ASS'Y	1	PC.
	2		168574-8	METERING DIAPHRAGM	1	PC.
117	1		5236046010	PUMP COVER SCREW	4	PC.
	2		266582-4	TAPPING SCREW 3X24	4	PC.

Item No.	Type	Sub	Part No.	Description	Qty	Unit
118	1		5926002020	PUMP SPRING	1	PC.
	2		234183-6	CONICAL COMPRESSION SPRING 5-9	1	PC.
119	1		5206008030	PAN HEAD SCREW	2	PC.
	2		266581-6	PAN HEAD SCREW M3X8 WITH W	2	PC.
120	1		5206008110	PLUG	1	PC.
	2		424439-7	PLUG CUP	1	PC.
121	1		5236018040	SWIVEL	1	PC.
	2		325922-6	SWIVEL	1	PC.
122	1		5316005120	RING	1	PC.
	2		257964-1	STOP RING E-3	1	PC.
123	1		5426005030	WASHER	1	PC.
	2		413140-9	WASHER	1	PC.
124	1		5926002140	PUMP BODY ASS'Y	1	PC.
		INC.		Item No. 109		
	2		140437-0	PUMP BODY	1	PC.
		INC.		Item No. 109		
125	1		5236046140	AIR PURGE BODY ASS'Y	1	PC.
	2		140438-8	AIR PURGE BODY	1	PC.
126	1		5246001150	PRIMER PUMP	1	PC.
	2		424314-7	PRIMER PUMP	1	PC.
127	1		5246001010	O RING	1	PC.
	2		213538-8	O RING 2	1	PC.
128	1		5927500200	FLYWHEEL	1	PC.
	2		318702-7	FLYWHEEL	1	PC.
129	1		5927012010	IGNITION COIL	1	PC.
	2		5927012011	IGNITION COIL	1	PC.
	3		168501-5	IGNITION COIL	1	PC.
130			0043704200	SCREW ASS'Y M4X20	2	PC.
131	1		5927002000	STOP SWITCH ASSEMBLY	1	PC.
	2		126240-3	STOP SWITCH ASSEMBLY	1	PC.
132	1		0654009931	PLUG CAP SPRING	1	PC.
	2		324891-8	PLUG CAP SPRING	1	PC.
133			0650109950	SPARK PLUG CMR6A	1	PC.
134	1		5927500100	PLUG CAP	1	PC.
	2		424105-6	PLUG CAP	1	PC.
135			4811000006	CASING	1	PC.
136			4811000005	O-RING	1	PC.
137			4811000004	INNER CASING	1	PC.
138			4811000003	IMPELLER	1	PC.
139			480-02510-10	MECHANICAL SEAL	1	PC.
140			4811000002	O-RING	1	PC.
141			480-05010-21	PLUG	1	PC.
142			480-05010-22	O RING	1	PC.
143			4810000186	HEX.BOLT	4	PC.
144			4811000001	CASING COVER	1	PC.
145			480-02510-05	SCREW	4	PC.
146			480-02510-08	WASHER 5	4	PC.
147			4811000009	VALVE CASE	1	PC.
148			4810000187	HEX.BOLT	3	PC.
149			4811000008	CHECK VALVE	1	PC.
150			480-02510-17	COUPLING PACKING	2	PC.
151			4800251018	HOSE COUPLING	2	PC.
152			4800251016	COUPLINGHANDLE	2	PC.
153			481-10000-10	PLUG AY	1	PC.
		INC.		Item No. 154		
154			4811000005	O-RING	1	PC.
155			480-02550-29	STRAINER	1	PC.
156			480-02510-28	HOSE BAND	3	PC.
157			4811000011	PIPE BASE	1	PC.
158			4811000007	CARRING HANDLE	1	PC.
159			4800253031	RUBBER	4	PC.

Item No.	Type	Sub	Part No.	Description	Qty	Unit
160			4830000303	LABEL(PUMP NAME)	1	PC.
161	1		5923504600	* INTAKE PIPE (Added)	1	PC.
	2		324961-3	* INTAKE PIPE	1	PC.
162	1		0062610101	* O RING (Added) (Same as 213078-6 per MJ)	1	PC.
	2		213078-6	* O RING	1	PC.
<u>ACCESSORIES</u>						
A01	1		5929002000	TOOL	1	PC.
	2		196134-6	TOOL SET	1	PC.
A02	1		0722105000	OIL BOTTLE	1	PC.
	2		242072-1	OIL BOTTLE	1	PC.
A03			123048-A	SUCTION HOSE 1"X20'	1	PC.
A04			123049-A	DISCHARGE HOSE 1"X25'	1	PC.
			128049-A	DISCHARGE HOSE 1"X50'	1	PC.

SERVICE CHANGES

1. Changes on Cylinder Block set, etc.

T/I# Y06025 T/I# Y06028 T/I# Y06032

Item No.	Description	Type 1	Type 2	Type 3	Type 4	Type 2 > 3 Image #
1	CYLINDER BLOCK SET	5921009002	5921009003 (N/A)	5921026000 (N/A)	5921045000 (Inc. Item 2, 41)	1
48	INSULATOR COM	5923005001	5923005002	5923016000 OR 450559-1		2
51	NUT M5	0022705000		----		4
57	NUT M6	0022706000		----		3
161	INTAKE PIPE	----		5923504600 OR 324961-3		5
162	O RING	----		0062610101 OR 213078-6		6
56	NUT M6	002-27060-00		----		7
49	INSULATOR GASKET	5923501801		5923504700 OR 413120-5		8
83	CARBURETOR INSULATOR	5923502000		----		9

Above parts are completely interchangeable as a set.

TYPE 2 > TYPE 3

